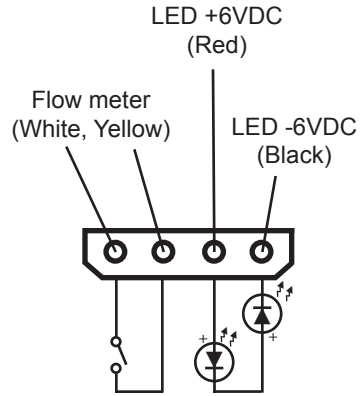


1 **KOOLANCE** INS-FM16 Coolant Flow Meter v 1.1

Note: Residual air pockets in the flow meter will not result in an accurate reading.

The Koolance INS-FM16 uses a magnetic reed contact switch (open collector) that opens and closes with the impeller rotation. It does not produce any voltage signal or illuminate the internal LED's unless powered through devices such as the optional Koolance ADT-FM002K adapter board.



Specifications

Flow Rate Range: 0.5 to 15 LPM (0.13 to 4 GPM)

Fluid Temperature Range: -10 to 80 °C (14 to 176 °F)

Connector

	Type	Mfr.	Series	Part No.
PCB	Right Angle	Molex	5268	22057045
	Vertical	Molex	5267	22035045
Wire	Housing	Molex	5264	50375043
	Pin Terminal	Molex	5263	08701040

Flow Rate vs. Pulse Frequency

