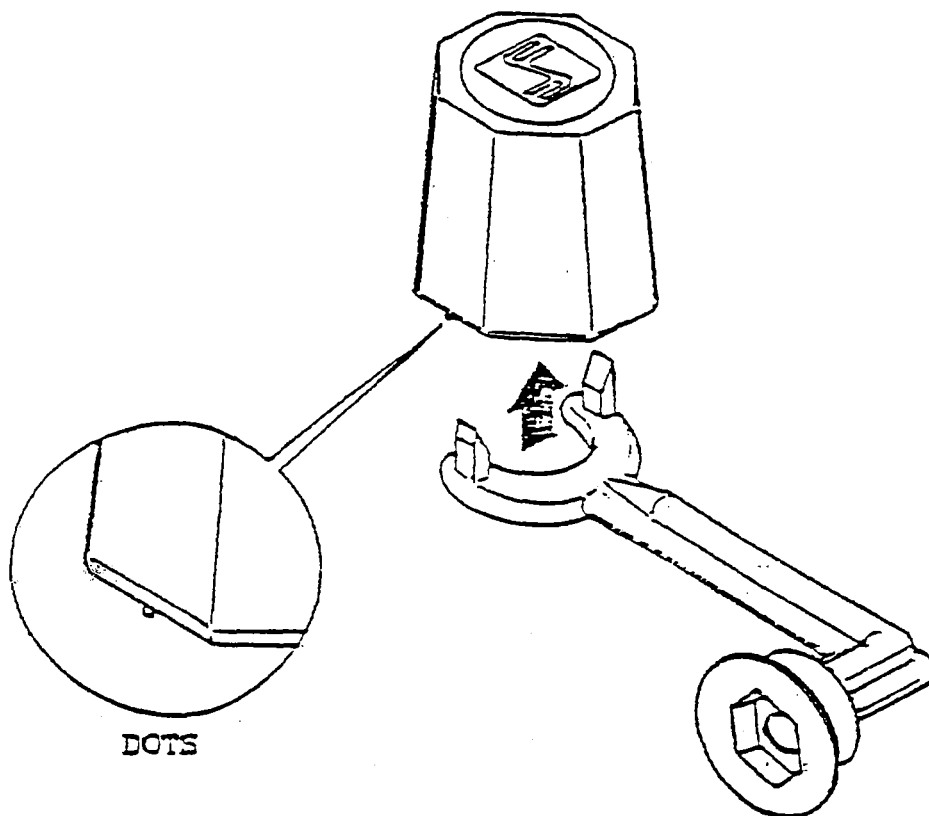


§ HOW TO REMOVE KNOB OF JOYSTICK ASSEMBLY.



- 1) INSERT "FINGERS" OF JOYSTICK TOOL UNDER KNOB.
MAKE SURE TO ALIGN FINGERS WITH DOTS UNDER KNOB.
PUSH UP TO OPEN TOP CAP.
- 2) USE HEX WRENCH TO REMOVE SHAFT NUT.

Important Notice RE: ~~SNK~~ Rotary Joysticks

Extreme Caution must be used when removing the wire harness from the rotary switch portion of the joystick. Failure to move locking tab up before removing wire harness could result in the male connector breaking off the rotary switch!

Some rotary switch harnesses are marked with a small 'R' on one of the white connector plugs. This plug should be used on the rotary switch end of the harness. If the character on the screen fails to rotate, reverse the rotary switch harness ends between the circuit board and the joystick.

ROTARY SWITCH WIRING

