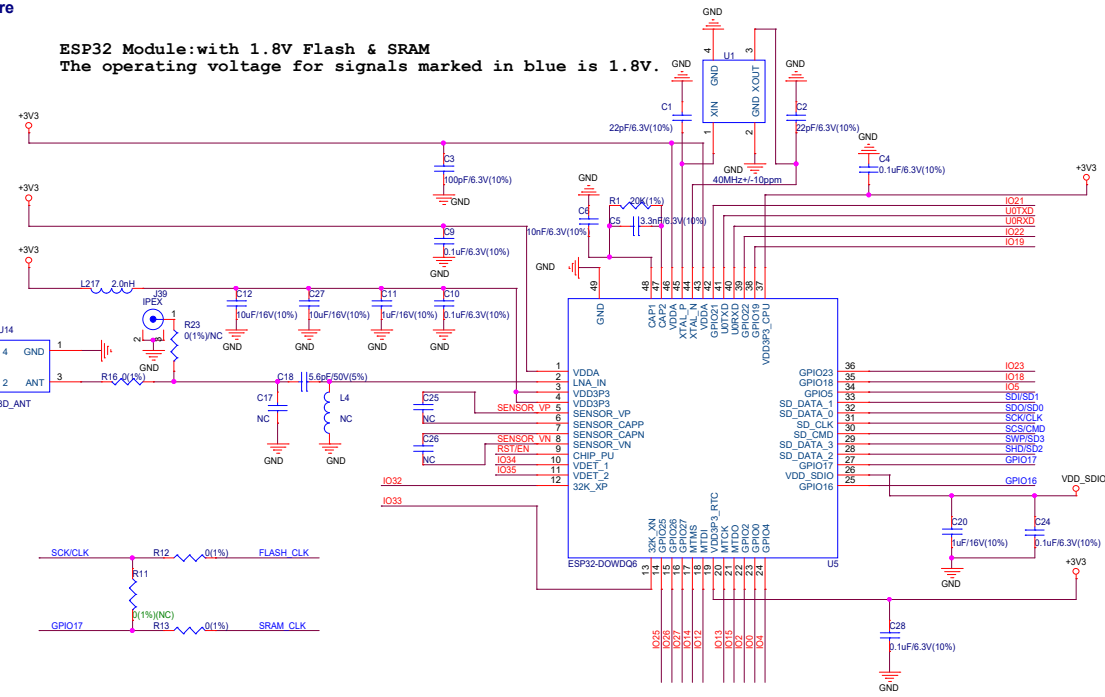


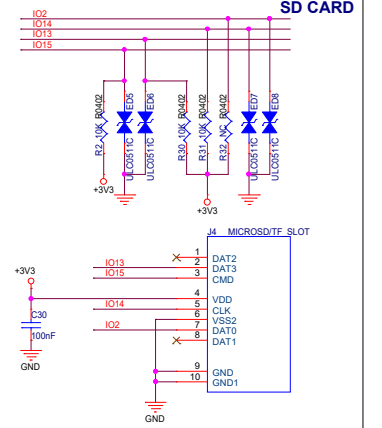
Title		T8_V1.7.1	
Size	Document Number	POWER	
B			
Date:	Monday, March 23, 2020	Sheet	1 of 2
			Rev 1.7.1

Core

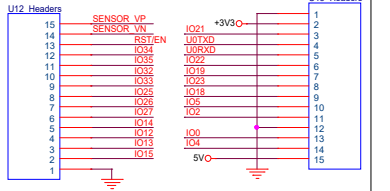
ESP32 Module: with 1.8V Flash & SRAM
 The operating voltage for signals marked in blue is 1.8V.



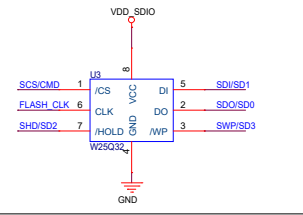
SD CARD



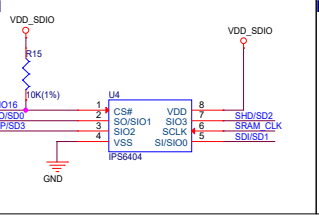
Connector



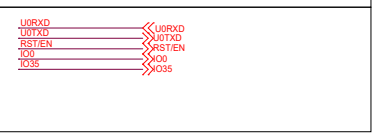
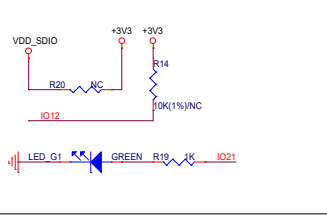
FLASH



PSRAM



LED



File	T8_V1.7.1
Size	Document Number
B	ESP32
Date:	Monday, March 23, 2020
Sheet	2 of 2
Row	1.7.1

